

We put our PermaPorch® Railing System to the Ultimate Test and we passed with flying colors!

PermaPorch® Railing

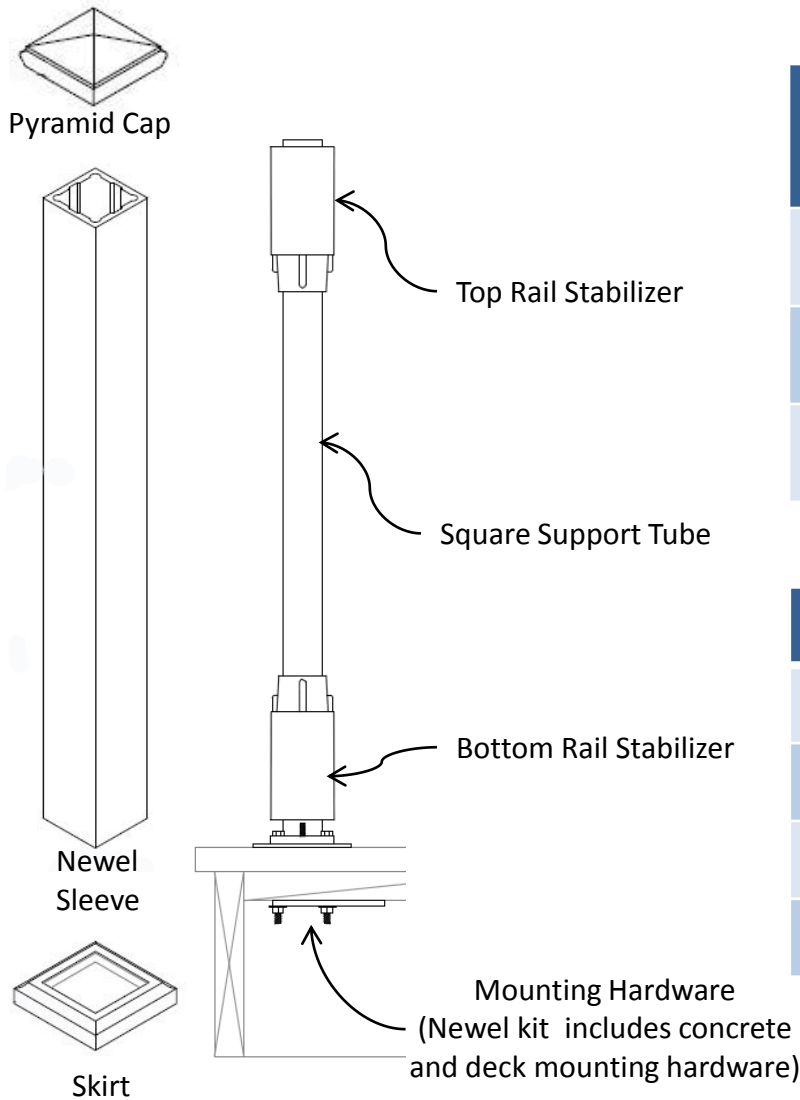
The new PermaPorch® Railing system features upgraded rail attachment brackets along with a new code approved newel. The new attachment brackets are designed with the highest standards and securely attach our railing to a newel, post, column or structure. Our new newel is code approved and strong enough to meet IBC and IRC codes!

- Ideal for residential and commercial Applications
- System meets all IBC and IRC codes
- New Upgraded Installation Kit with stronger, thicker attachment brackets
- Upgraded the aluminum insert alloy to increase the strength of the railing system
- New IBC and IRC code approved newel
- Span lengths up to a max of 10 feet
- 10/25 Year Warranty
- www.hbgcolumns.com



1015 Brundidge Blvd.
Troy, AL 36081
www.hbgcolumns.com
1-800-264-4HBG

New Code Approved Newel - The Inside Story



PermaPorch® Railing Testing Summary

PermaPorch® Railing System	Porch Floor Material	Maximum Installed Guardrail Height	Maximum Installed Span	
			IBC	IRC
PermaPorch® Railing attached to wood wall	N/A	42"	120" (10 ft.)	120" (10 ft.)
PermaPorch® Railing attached to New Post Mount	Concrete	42"	72" (6 ft.)	120" (10 ft.)
PermaPorch® Railing attached to New Post Mount	Wood	42"	48" (4 ft.)	96" (8 ft.)

New Products

New Item	Length	Stock #
54" Newel Post Mount System (Rake Rail)	54"	82020
44" Newel Post Mount System	36"-42"	82021
PermaPorch Railing Fastening Kit	N/A	03907
PermaPorch Railing Rake Rail Fastening Kit	N/A	03908

Each post mount system contains: Prefinished PVC sleeve, top and bottom rail stabilizer, support tube, skirt and mounting hardware.



1015 Brundidge Blvd.
Troy, AL 36081
www.hbgcolumns.com
1-800-264-4HBG