

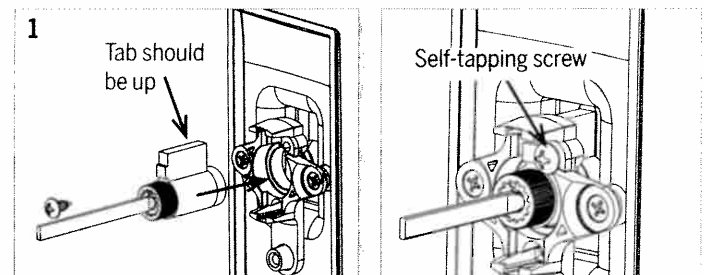
W&F Hardware™ Cartridge Entry Set Installation Instructions for Swinging and Active French Door Lever Sets.

Check contents and identify all parts before proceeding

Interior Escutcheon:	(1) Individually Packed	Key Cylinder Pack:	(1) Key Cylinder with (2) Keys
Exterior Escutcheon:	(1) Individually Packed		(2) Drive Rods
	(1) Escutcheon Gasket		(1) #8 x 3/8" Self Tapping Screw
Handle Pack:	(2) Lever Handles		(2) #10-32 Mounting Screws
Cartridge Pack:	(1) Left Handed Handle Return Cartridge		
	(1) Right Handed Handle Return Cartridge		
	(4) #6-32 x 1/4" Phillips Head Cartridge Mounting Screws		
	(2) #10-32 Allen Screws for Handles		
	(1) 9/64" Allen Wrench		

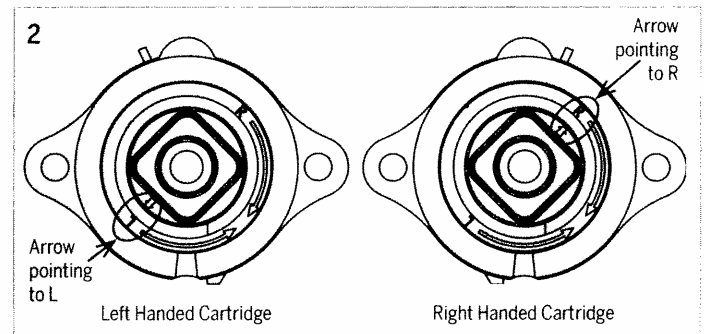
1. PREPARE EXTERIOR ESCUTCHEON

- Remove key from lock cylinder.
- Insert lock cylinder into upper hole from back side of escutcheon plate with tab pointing up. Orient as shown.
- Secure lock cylinder with #8 x 3/8" self tapping screw.



2. DETERMINE THE PROPER HANDING OF YOUR HANDLE SETS

- Note that there are two Handle Return Cartridges:
 - (1) Left Hand (LH) and (1) Right Hand (RH).
- Determine the proper lever for each escutcheon.
- The direction the lever points will determine which Handle Return Cartridge you will use on each escutcheon plate.
 - Lever Points to the left; use the Left Hand (LH) Cartridge.
 - Lever Points to the right; use the Right Hand (RH) Cartridge.

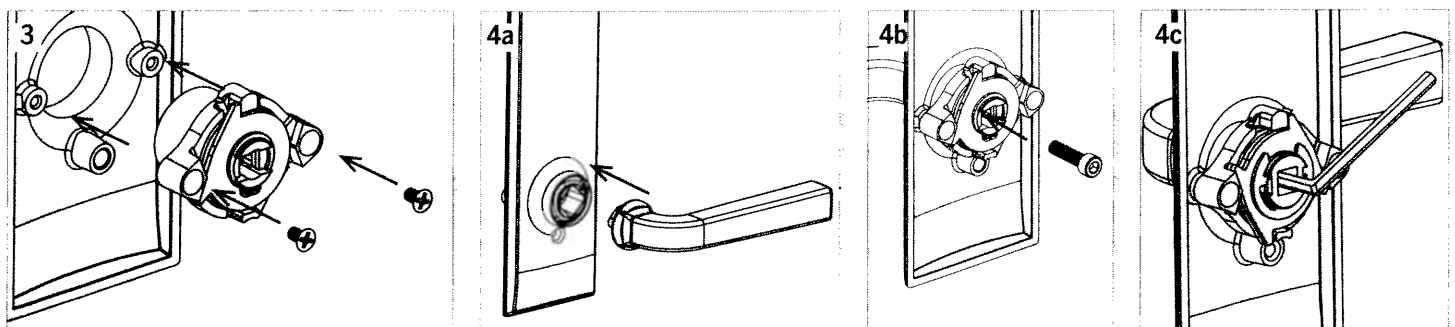


3. ATTACH THE CARTRIDGE TO THE ESCUTCHEON

- Once the proper cartridge for your handle set is determined, insert the cartridge into the back of the escutcheon and secure with the two #6-32 x 1/4" Phillips Head Cartridge Mounting Screws.

4. ATTACH LEVERS TO ESCUTCHEONS

- Insert handle into square recess in spindle and hold in place.
- Insert the handle mounting screw into the center of the cartridge and hand tighten with the Allen Wrench provided.

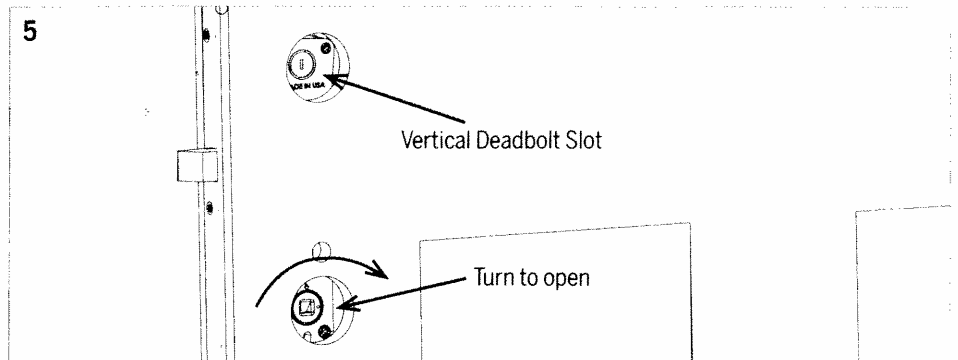


TRILENNIUM[®]

MULTI-POINT LOCKING SYSTEMS

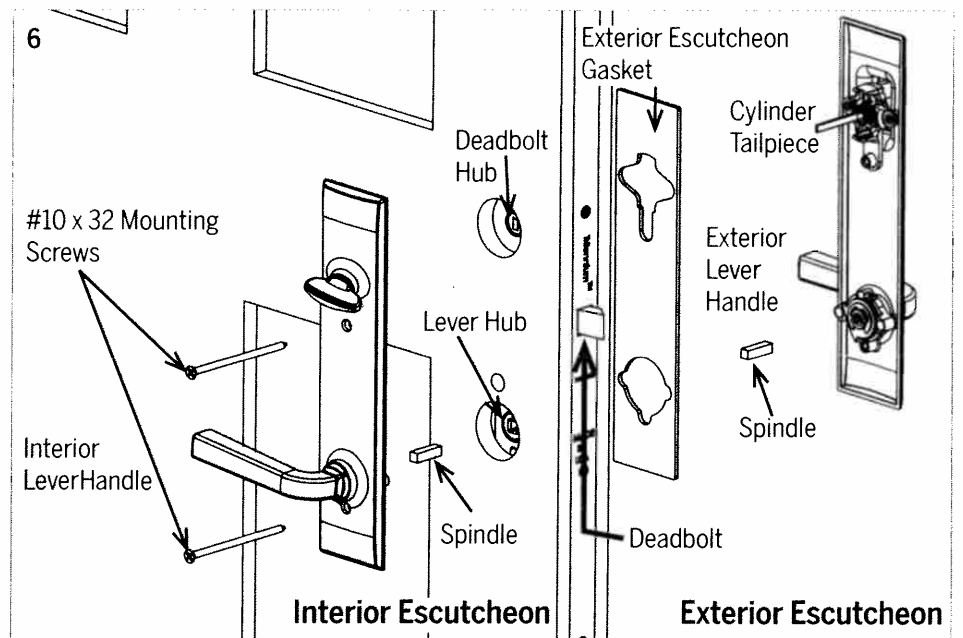
5. CHECK HARDWARE IN DOOR FOR ALIGNMENT OF HUB

- Open door by turning inside lever hub of the lock.
- Deadbolt slot must be vertical.
- Bolts must be in latched (not deadbolted) position.



6. POSITION ESCUTCHEONS TO DOOR PANEL

- Exterior first: Place Escutcheon Gasket over inside face of escutcheon. Guide Cylinder Tailpiece and Spindle into respective hubs in hardware.
- Hold in place.
- Interior next: Make certain that receiving slot in thumbturn lines up with the Cylinder Tailpiece.
- Secure with (2) #10-32 mounting screws from interior to exterior. Hand-tighten snug, DO NOT OVERTIGHTEN.



7. ATTACH STRIKE PLATES TO JAMB (if not already done)

- Use 3/4" screws in top and bottom holes of each strike.
- Use long #10 x 2-1/2" screws in center holes. The purpose is to anchor each strike to the rough opening framing for added security. A small pilot hole should be drilled for the long screw.
- NOTE: Solid shimming should be placed behind each strike to allow for firm anchoring to structure.

8. CHECK OPERATION

- All three lock bolts should engage strikes as door is closed.
- Turn thumbturn 90° to extend bolts (all three) an additional 1/2" to deadbolted position.
- Rotate interior lever downward to disengage bolts and open door. Bolts can also be moved to latched position by turning thumbturn.
- Engage deadbolt again. From the exterior, confirm that the lever cannot rotate and disengage the latches (door is deadbolted). With key, confirm that the door can be unlocked and then opened by rotating the lever downward.

Covered under one or more of the following U.S. Patents 5,524,941; 5,524,942; 7,753,418.

The information contained in this document is the confidential and proprietary information and trade secrets of Endura Products, Inc. Any disclosure, use or dissemination of such information without the express written permission of Endura Products, Inc. is strictly prohibited. Endura Products, Inc. also owns any and all intellectual property rights embodied in such information, including patent rights, copyrights, and trademark rights, and no license of any intellectual property right is intended, nor should any license be implied, as a result of the receipt of this document.

EP-114-315

p/n 9TSH0342

 **Endura[®]**

PERFORMANCE STANDARD

8817 W. Market St., Colfax, NC 27235

1.800.334.2006 www.enduraproducts.com